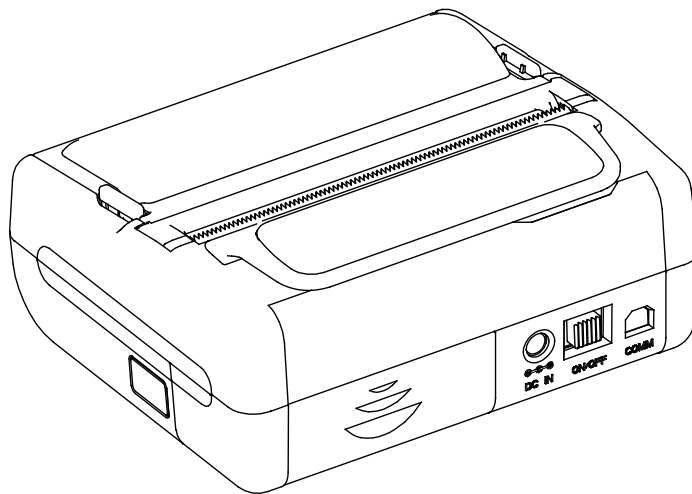


Mobile Printer SM-S300 SERIES

Models: SM-S301
SM-S302

Hardware Manual



star 

<USA model>

Federal Communications Commission Radio Frequency Interference Statement

This device complies with Part 15 of the FCC Rules. Operation is subject to the following two conditions:

(1) This device may not cause harmful interference, and (2) this device must accept any interference received, including interference that may cause undesired operation.

CAUTION: Changes or modifications not expressly approved by the party responsible for compliance could void the user's authority to operate the equipment.

Note: This equipment has been tested and found to comply with the limits for a Class B digital device, pursuant to part 15 of the FCC Rules. These limits are designed to provide reasonable protection against harmful interference in a residential installation. This equipment generates, uses and can radiate radio frequency energy and, if not installed and used in accordance with the instructions, may cause harmful interference to radio communications. However, there is no guarantee that interference will not occur in a particular installation. If this equipment does

cause harmful interference to radio or television reception, which can be determined by turning the equipment off and on, the user is encouraged to try to correct the interference by one or more of the following measures:

- Reorient or relocate the receiving antenna.
- Increase the separation between the equipment and receiver.
- Connect the equipment into an outlet on a circuit different from that to which the receiver is connected.
- Consult the dealer or an experienced radio/TV technician for help.

Modifications not expressly approved by the manufacturer could void the user's authority to operate the equipment under FCC rules. This transmitter must not be co-located or operated in conjunction with any other antenna or transmitter.

This equipment complies with FCC radiation exposure limits set forth for uncontrolled equipment and meets the FCC radio frequency (RF) Exposure Guidelines in Supplement C to OET65. This equipment has very low levels of RF energy that it is deemed to comply without testing of specific absorption ratio (SAR).

FCC WARNING

Changes or modifications not expressly approved by the party responsible for compliance could void the user's authority to operate the equipment.

For compliance with the Federal Noise Interference Standard, this equipment requires a shielded cable.

For RF interference suppression, if a ferrite core is provided with this device, affix it to the interface cable.

The above statement applies only to equipments marketed in U.S.A.

<Europe model>

This is a class B product. In a domestic environment, this product may cause radio interference, in which case the user may be required to take adequate measures.

Hereby, Star Micronics Co., Ltd. declares that this device is in compliance with the essential requirements and other relevant provisions of Directive 1999/5/EC.

Notice: This device can be operated in all European countries.

France: Outdoor use limited to 10 mW e.i.r.p. within the band 2454-2483.5 MHz.

(The wireless output power of this printer is less than 10mW e.i.r.p.)

Italy: For private use, a general authorisation is required if WAS/RLAN's are used outside own premises. For public use, a general authorisation is required.

Norway: This subsection does not apply for the geographical area within a radius of 20 km from the centre of Ny-Ålesund.

Trademark acknowledgments

SM-S300: Star Micronics Co., Ltd.

Notice

- All rights reserved. Reproduction of any part of this manual in any form whatsoever, without STAR's express permission is forbidden.
- The contents of this manual are subject to change without notice.
- All efforts have been made to ensure the accuracy of the contents of this manual at the time of going to press. However, should any errors be detected, STAR would greatly appreciate being informed of them.
- The above notwithstanding, STAR can assume no responsibility for any errors in this manual.



Operating Precautions

Please follow the precautions below to enjoy and maintain the full performance of the printer.

■ Using the Printer

- Some semiconductor devices are easily damaged by static electricity. You should turn the printer “OFF”, before you connect or removed the cable on the rear side, in order to guard the printer against the static electricity. If the printer is damaged by the static electricity, you should turn the printer “OFF”.

- Be careful not to drop or bump the printer on a hard surface.
- Do not install the printer in direct sunlight or such areas.

Suitable environment for the use of the printer is as follows:

Operating temperature :0 °C to 40 °C

Relative humidity : 30 % to 80 % (No condensation)

- Do not install the printer near devices that generate strong electromagnetic fields such as a copy machine.
- Do not open the paper cover during printing .
- Do not remove or reinstall the communication cable during printing or transmission.
- Do not touch the connectors of the communication during printing.
- Switch the POWER OFF when not in use.
- Do not use alcohol or other solvent.
- The battery charger and the battery pack may become warm when in use. This is normal and is not a malfunction.
- When the battery pack is used at low temperature, the length of time the printer can be used may be shortened.
- Use only the power cord supplied in the package.

■ Thermal Paper Handling

- Store the thermal paper in a cool, dry and dark place.
- Do not rub the paper with hard object.
- Do not leave the paper with hard object.
- Do not allow plastic film, erasers, or adhesive tape to touch the paper for long periods.
- Do not stack the thermal paper with diazo copies immediately after copying or wet-type copies.
- Do not use chemical glue.
- Always use the clean thermal paper.

Choosing a Place for the Printer

Before actually unpacking the printer, you should take a few minutes to think about where you plan to use it. Remember the following points when doing this.

- ✓ Choose a firm, level surface where the printer will not be exposed to vibration.
- ✓ The power outlet you plan to connect to for power should be nearby and unobstructed.
- ✓ Make sure that the printer is close enough to your host computer for you to connect the two.
- ✓ Make sure that the printer is not exposed to direct sunlight.
- ✓ Make sure that the printer is well away from heaters and other sources of extreme heat.
- ✓ Make sure that the surrounding area is clean, dry, and free of dust.
- ✓ Make sure that the printer is connected to a reliable power outlet. It should not be on the same electric circuit as copiers, refrigerators, or other appliances that cause power spikes.
- ✓ Make sure that the room where you are using the printer is not too humid.

WARNING

- ✓ Shut down your equipment immediately if it produces smoke, a strange odor, or unusual noise. Immediately unplug the equipment and contact your dealer for advice.
- ✓ Never attempt to repair this product yourself. Improper repair work can be dangerous.
- ✓ Never disassemble or modify this product. Tampering with this product may result in injury, fire, or electric shock.

Table of Contents

1. Introduction.....	5
2. Setting Up the Printer.....	6
2.1. Printer & Accessories	6
2.2. Printer Features	7
2.3. Replacing Paper Roll	8
2.4. Power Supply	10
2.4.1. Specified Power Supply	10
2.4.2. Installing the Battery and the Belt strap.....	10
2.4.3. Recharging the Battery Pack	11
2.5. Memory Switch Settings	12
3. Interface.....	15
3.1. RS-232C	15
3.2. Bluetooth.....	16
4. Using the Printer.....	17
4.1. Control Panel	17
4.2. The Self Test	18
4.3. Instruction for Auto Power Down Mode.....	18
5. Consumable Parts	19
5.1. Paper Roll Specifications	19
5.2. Recommended Thermal Paper Roll.....	19
5.3. Printing Position	19
6. Specifications	20

1. Introduction

This printer is the ideal solution for Mobile banking system , Retail, point of sales, Credit card Transaction, other traveling and mobile computing etc.

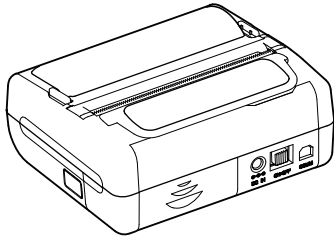
The general features of this printer are as follows:

- Pocket size (107 × 89 × 46 mm)
- Light weight (269 g) for true mobility
- Very silent printing thru direct thermal printing method
- High speed (65 mm/sec, MAX)
- RS-232C, Bluetooth Ver2.1+EDR interface
- Support secure wireless communication
 - ✓ Bluetooth security mode 3 is available (PIN code 16 characters maximum)
 - ✓ Non-discoverable mode can be offered (Factory option)
- Support Magnetic Stripe Reader
- Intuitive LED's indicate Power (on/off), Error and Battery status
- Support text and graphic printing
- Support bit-image(logo), firmware download
- Easier paper roll loading by CLAMSHELL design
- One touch paper cover
- Printer door open sensor & Paper-out sensor
- Flow control : Software (XON/XOFF)
 - ※ Hardware flow control not supported in printer.

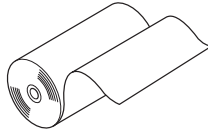
2. Setting Up the Printer

2.1. Printer & Accessories

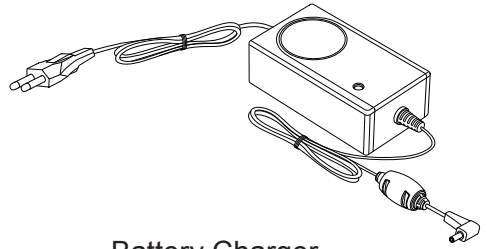
Your printer box should include these items. If any items are damaged or missing, please contact your dealer for assistance.



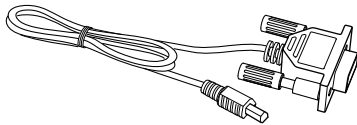
Printer



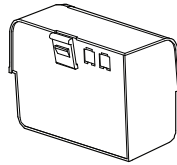
Paper



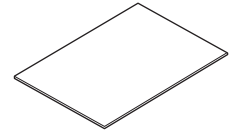
Battery Charger



Communication Cable
(SERIAL CABLE SM-S)

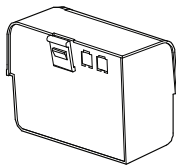


Battery Pack

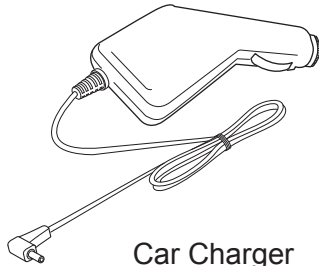


Safety Instruction Sheet

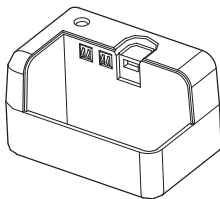
▼ OPTIONAL



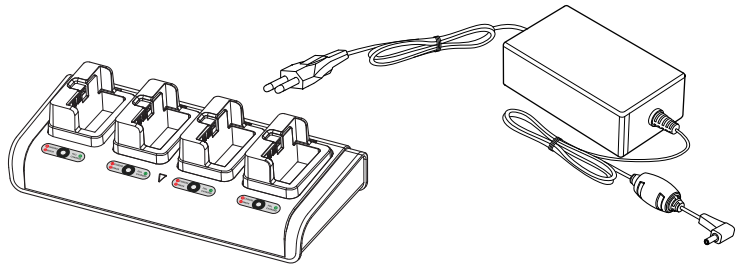
Extra Battery Pack



Car Charger



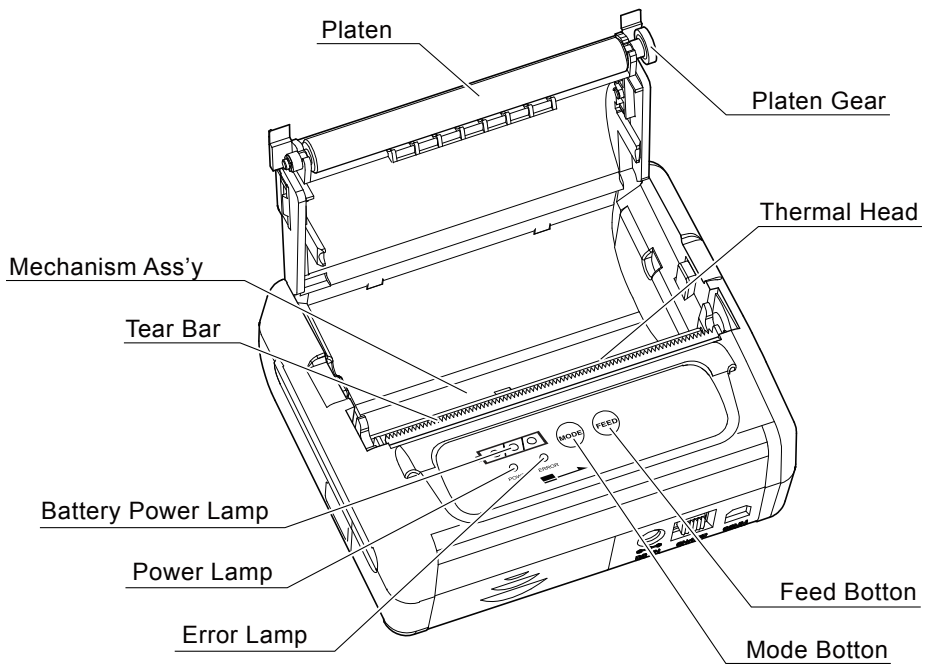
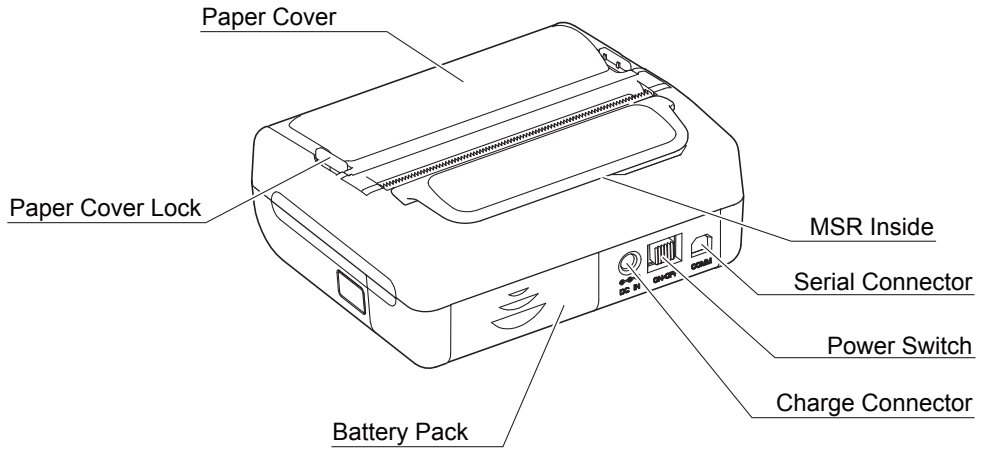
Battery Holder



4 Unit Battery Charger (Special Battery Charger + 4 Unit Holder)

2.2. Printer Features

■ Part Name



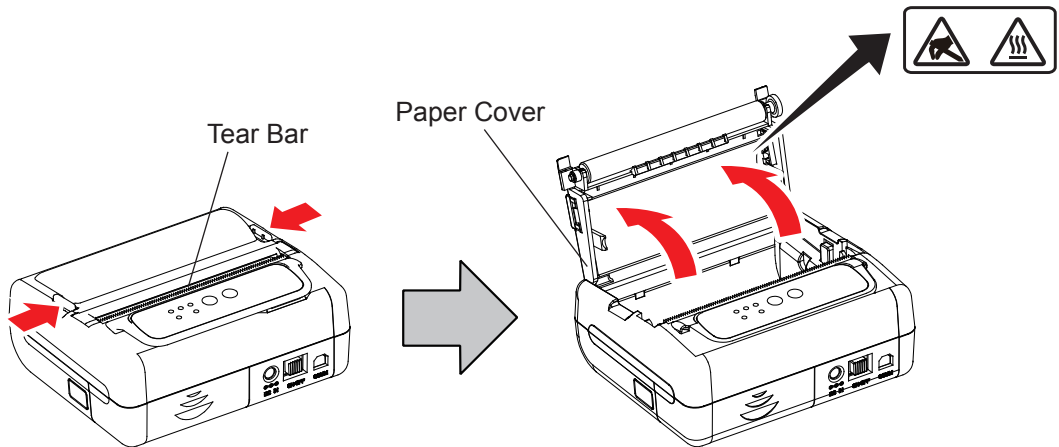
2.3. Replacing Paper Roll



Cautions :

Be sure to use paper rolls that meet the specifications. Do not use paper rolls that have the paper glued to the core because the printer cannot detect the paper end correctly.

1. Make sure that the printer is not receiving data; otherwise, data may be lost.
2. Open the paper cover using your fingers on both sides of printer, and remove the remaining paper.



Caution Symbol

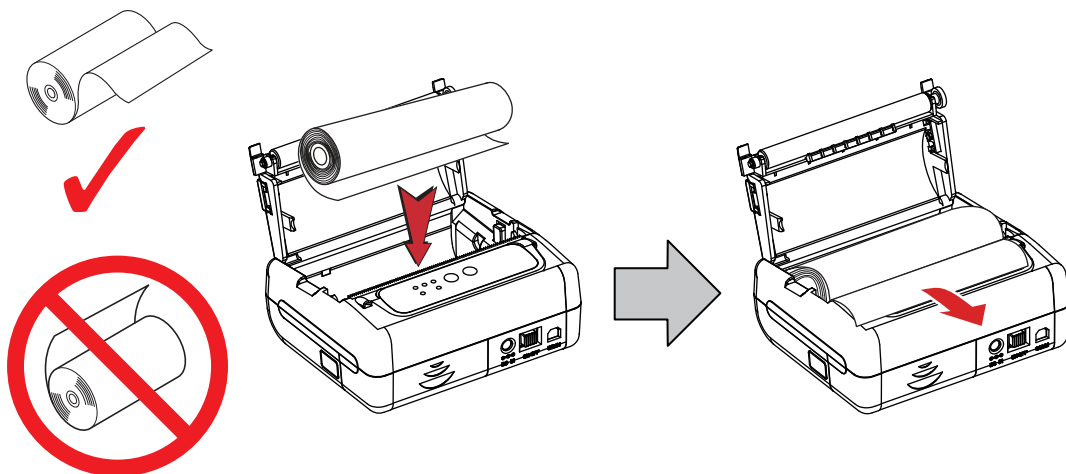


This symbol is placed near the thermal head to indicate that it may be hot. Never touch the thermal head immediately after the printer has been used. Let the thermal head cool for a few minutes before touching it.

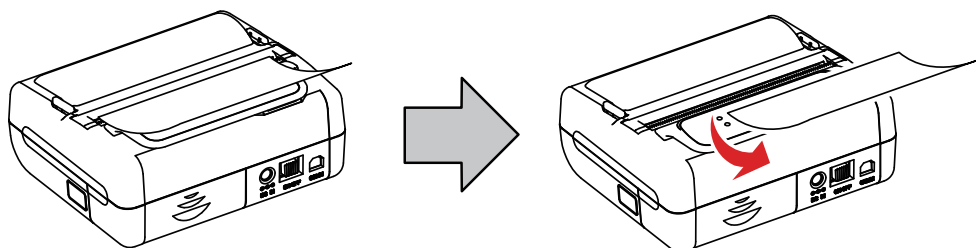
!WARNING

- 1) *Do not touch the tear bar.*
 - *There is a tear bar inside the paper outlet slot. Not only should you not put your hand in the paper outlet slot while printing is in progress, never put your hand into the outlet even when printing is not in progress.*
 - *The paper cover can be opened when replacing the paper. However, since the tear bar is on the inside of the paper cover, be careful not to place your face or hands too close to the tear bar.*
 - 2) *During and immediately after printing, the area around the thermal head is very hot. Do not touch it, as you could be burned.*
-

3. Insert a new paper roll as shown.



4. Tear the excess paper off using the tear bar.



2.4. Power Supply

2.4.1. Specified Battery Charger

OUTPUT : DC 8.4 V/0.8 A (CC-CV)

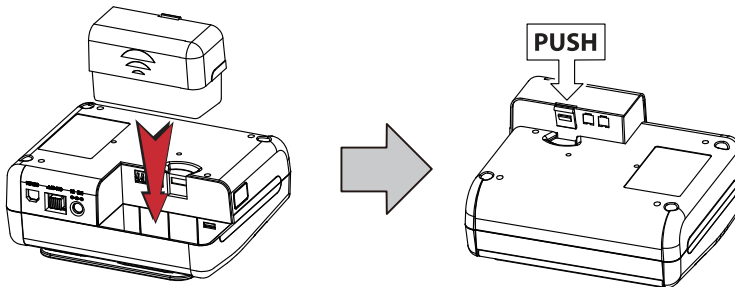
2.4.2. Installing the Battery

Cautions :

- 1) Before installing or removing the battery pack, ensure the printer is OFF.
- 2) If the printer is not used for long period of time, remove the battery pack from the printer.

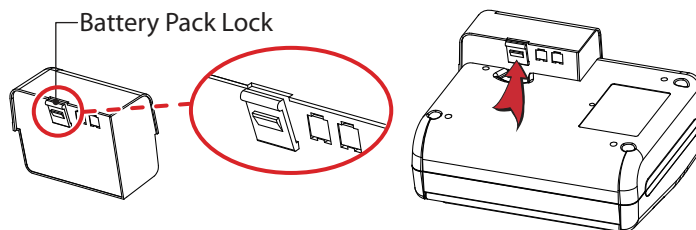
1. To install battery pack, proceed as follows:

- Insert the battery pack in the direction of the arrow.



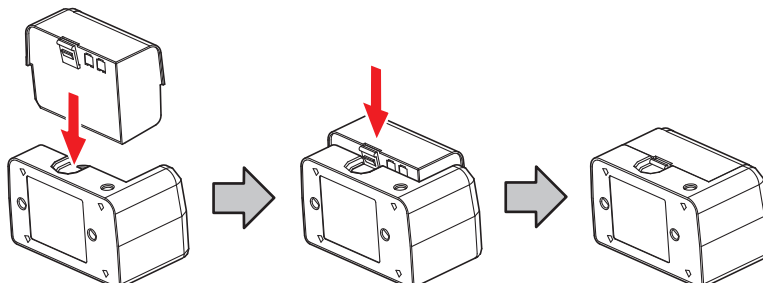
2. Removing the Battery Pack

- Turn the printer power off and push the battery pack lock and lift up the direction of the arrow.



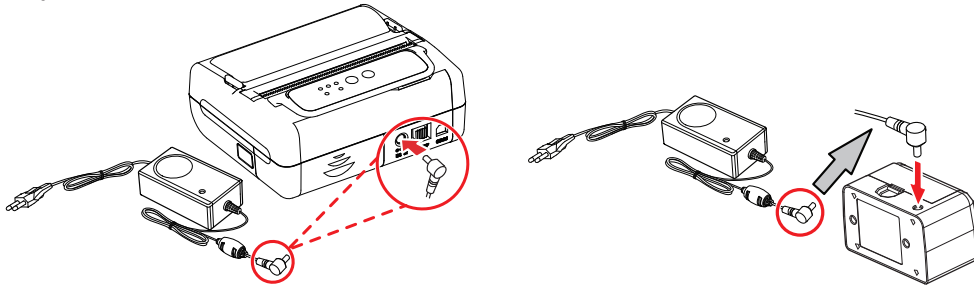
3. The battery pack install into the battery holder.

- Insert the battery pack in the direction of the arrow.



2.4.3. Recharging the Battery Pack

For recharging the battery pack, install the battery pack in the printer or the battery holder. Insert the Battery Charger to the charge connector of the printer or the battery holder.



! Cautions Concerning Batteries

► General Battery Characteristics

- The battery is a consumable and its performance over time will gradually decrease. (Warranty 6 months)
- While not in use, the battery will slowly discharge itself.
- Fully charge the battery before using the printer.
- To extend battery life, it is recommended to use a smart energy management solution such as the Auto Power Down Mode available on all Star Micronics Portable Printers.
- When used at low temperatures, battery performance will temporarily decline. Be sure to have a fully-charged spare battery standing by if the printer will operate in a cold environment.

► Battery Charging

- Charge the battery in an environment with a temperature ranging from 0 °C to 40 °C.
- The time required to charge the battery depends on the voltage or ambient temperatures. The battery requires four hours of charging under normal conditions.
- Do not remove the battery while it is charging.
- The battery does not need to be fully discharged before recharging it.
- The battery may be warm after charging or use. This condition is normal and does not indicate a malfunction.
- Do not recharge the battery after it is fully charged.

► Battery Life

- The battery can be charged approximately 500 times in the normal temperature range without losing performance. If an extreme decline in the running time of the battery is noticed, the battery is reaching the end of its usable life. It is recommended to replace the old battery with a new one.

► Battery Storage

- Storing a charged battery for a long period may damage its capacity. Be sure to fully discharge the battery before storing or if it will not be used for a long period of time.
- When the battery is not in use, remove it from the printer or charger.
- Store the battery in a cool, dry place.
- Recommended Storage Temperature Range: +15 °C to +25 °C
- Avoid storing the battery in a place with extremely high or low humidity.

2.5. Memory Switch Settings

1. Change the Memory switch by this operation. (Refer to Table 1).

MODE button : changing Printer MODE status

FEED button : changing OPTION status.

2. [Example] The defaults of the printer are :

Bluetooth/57600 bps/8 Data bit/No Parity/1 stop bit/Density Medium

If a user wants to change the defaults with

RS-232C/9600 bps/7 Data bit/Even Parity/1 stop bit/Density High

▶ After pressing the MODE button simultaneously, if the ERROR lamp 5 turn signals MODE button is converted with MODE functions

→ You will see the Power lamp twinkles once and the Error lamp twinkles twice.

→ Press the MODE button once and the Error lamp twinkles once.
(The interface mode has set to RS-232C mode.)

▶ Press FEED button once, Power lamp twinkles twice and Error lamp twinkles four times.

→ Press the MODE button twice, and the Error lamp twinkles once.
(The baud rate has set to 9,600 bps)

▶ Press FEED button once, Power lamp twinkles three times and Error lamp twinkles twice.

→ Press MODE button once, Error lamp twinkles once.
(The Data Bit has set to 7 Data bit)

▶ Press FEED button once, Power lamp twinkles four times and Error lamp twinkles once.

→ Press MODE button twice, Error lamp twinkles three times.
(The parity bit has set to even parity bit.)

- ▶ Press FEED button twice, Power lamp twinkles six times and Error lamp twinkles twice.
- Press MODE button once, Error lamp twinkles three times.
(The density has set to high.)

If all the mode have set, press the FEED button and the MODE button at the same time after then release the buttons at the same time.

The printer will print out the mode status which has modified.
(RS-232C/9600 bps/7 Data bit/Even Parity/1 stop bit/Density High)

If the status is not correct, please try it again according to the procedure.

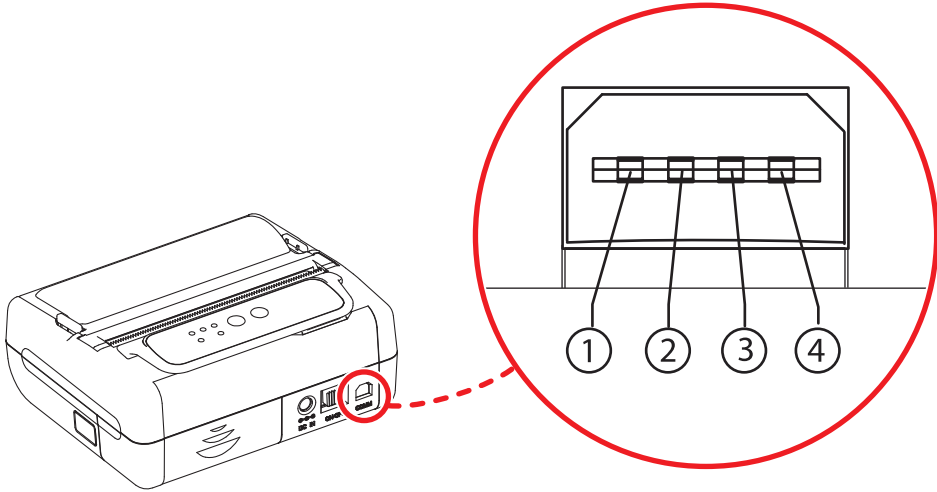
Memory Switch Setting Table

	Printer Mode	POWER Lamp (Green)	ERROR Lamp (Red)	Setting
1	Communication Port	1	1	RS-232C
			2	Bluetooth *
2	Baud Rate	2	1	9600 bps
			2	19200 bps
			3	38400 bps
			4	57600 bps *
			5	115200 bps
3	Data Bit	3	1	7 Data bit
			2	8 Data bit *
4	Parity Bit	4	1	No Parity *
			2	Odd Parity
			3	Even Parity
5	Stop Bit	5	1	1 Stop bit *
			2	2 Stop bit
6	Density	6	1	Density Low
			2	Density Medium *
			3	Density High
7	Print Speed	7	1	Low *
			2	High
8	BM Sensor	8	1	No use *
			2	Use
9	BM Sensor Sensitivity	9	1	Low *
			2	Medium 1
			3	Medium 2
			4	High
			5	Automatic Setting
10	Power Down	10	1	No use *
			2	1 Minute Sleep
			3	2 Minute Sleep
			4	3 Minute Sleep
			5	4 Minute Sleep
			6	5 Minute Sleep

* : Default

3. Interface

3.1. RS-232C



This printer has a RS-232C interface and is connected by means of a 4 pin mini USB socket. In the following table, the signals present on the Mini-USB socket are listed:

Pin No.	Name	Direction	Function
1	TxD	Output	Transmit Data
2	RxD	Input	Receive Data
3	CTS	-	-
4	GND	-	Ground

* Applicable connector: SUNG KYUNG (CM-720)

⚠ Caution :

When it removes the communication cable during receiving data, it loses a data.
Don't connect USB mini B cable here.

3.2. Bluetooth

Category	Specification
Bluetooth Spec.	Bluetooth V2.1+EDR / Class 2 (10 m)
Frequency Range	2.4 GHz ISM BAND
Data Transmission Rate	57600 bps Fixed.
Data bit	8 Data bit Fixed.
Parity bit	No Parity Fixed.
Stop bit	1 Stop bit Fixed.
Support Profile	SPP (Serial Port Profile)

PIN code: 1234 as default

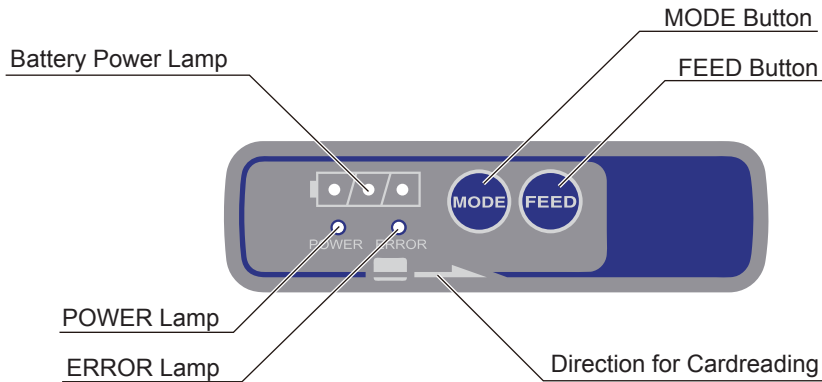
Device Name: Star Micronics

Caution

- 1) If the quantity of data which is printed at once is more than 1M byte on Bluetooth communication, it would cause the buffer to overflow and the data to get damaged.
- 2) Concerning security purpose, we recommend to change PIN code by the original tool. Please contact with our dealer to get it.

4. Using the Printer

4.1. Control Panel



► Button

FEED Button :

When the printer is on, paper can be feed manually by pressing and holding the FEED button for more than one second.

MODE Button :

- ① When the button is pressed for 5 or more seconds, power comes to on or off.
- ② After pressing the MODE button simultaneously, if the ERROR lamp 5 turn signals MODE button is converted with MODE functions.
MODE functions are for use to change communication mode.
(Refer to **2.5. Memory Switch Settings** for details about mode conversion)

► Panel Lamp

POWER (Green) : Printer is ON and ready to receive data.

ERROR (Red) : Indicated a fault condition or a printer error.
(i.e : no paper, paper cover opened. etc.)

Battery Power : These lamps(Green) indicated the battery power remaining.
The battery gain in quantity and these lamps are on the decrease. If so, you must recharge the battery by using the battery charger.

4.2. The Self Test

The self test procedure will check most of the printer functions.

For self test, turn on the power while holding down the FEED button.

The Self-Test checks the following :

- 1) Make sure paper roll has been installed properly.
- 2) The Self-Test prints the current printer status, which provides the control ROM version and the communication method setting.
- 3) After printing the current printer status, Self-Test will print a pattern using the built-in character set.
- 4) The Self-Test automatically ends.

The printer is ready to receive data as soon as it completed the self test.

4.3. Instruction for Auto Power Down Mode

The printer in the Power Down Mode will recover to the Print Ready Mode when receiving commands or button operations.

However, print data received while shifting from the Power Down Mode to the print Ready Mode (for approx. 1 sec.) is discarded and cannot be printed.

Therefore, if the printer is in the Power Down Mode, please be sure to recover it to the Print Ready Mode before sending print data.

[How to Recover to Print Ready Mode & How to Check]

- 1) Send the Status command (DLE EOT EOT), and Try to re-send it until receiving the transmission value which is from 30H to 37H.

Or

- 2) Press the FEED button or the MODE button (the Power button for SM-S300 series) and confirm that the Power lamp (Green LED) is turned on.

5. Consumable Parts

5.1. Paper Roll Specifications

Type :	Thermal Paper
Paper width :	79.5±0.5 mm
Paper thickness :	65±5 μ m
Outer diameter :	Ø38 mm or less
Recording side :	Outside of roll

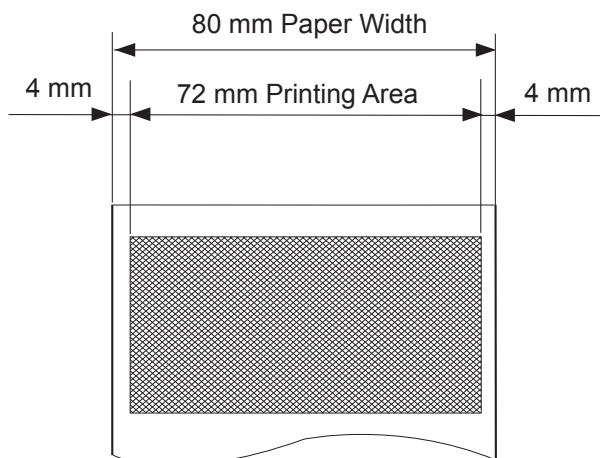
Cautions :

- 1) Do not paste the paper to the core. And the roll paper which has Near end mark printing on its near end is recommended.
- 2) Chemicals or oil may change the color of paper, or printed Characters may fade.
- 3) Change of paper color starts from approx 70 °C.
Pay attention to heat, humidity and sun light.
- 4) Color of paper may be changed by being scratched by nail or hard metal, etc.

5.2. Recommended Thermal Paper Roll

Manufacturer	Product Name
Mitsubishi Paper Mills Limited	P220AG
Oji Paper Co., Ltd.	PD450
APPLETON	Alpha 800-2.4
KANZAKI (Oji Paper USA)	P-350

5.3. Printing Position



6. Specifications

Item	Specifications	
Print method	Direct thermal line printing	
Characters per line	64 cpl (MAX)	
Character size	Eng. : 9×24 dots, 12×24 dots, 8×16 dots	
Optional Characters	Simplified/Traditional Chinese, Arabic, Cyrillic, Russian, Turkish, Greek, Japanese, Persian, Latin9 and Others upon request.	
Resolution	203 dpi, 8 dots/mm	
Print width	3-inch (72 mm, 576 dots)	
Print speed	65 mm / sec (Max) : 50 mm / sec (Default)	
Dimension	107 × 89 × 46 mm	
Weight	269 g (Including battery pack)	
Interface	RS-232C & Bluetooth Ver 2.1 + EDR	
Paper roll	Thermal roll paper (80 mm wide, ø38)	
Barcodes	1-dimension : Code128, Code39, Interleaved 2/5, Code93, UPC, EAN, KAN, JAN, CODABAR 2-dimension : PDF417, QR Code, DATA Matrix	
H/W Spec.	MCU : 32bits RISC, FLASH : 4Mbytes, RAM : 8Mbytes	
Receive buffer size	1M bytes	
MSR	SM-S301 ISO 7810 / 7811 / 7812 1st and 2nd Track Reading SM-S302 ISO 7810 / 7811 / 7812 2nd and 3rd Track Reading	
Battery	Rechargeable 7.4V DC	
Battery duration	10 hour printing (12 receipts per hour) 15 hour printing (12 receipts per hour / auto power down mode)	
Battery charger	Input (100~250 V AC, 50~60 Hz) Output(8.4 VDC/0.8 A), 4 hours full charge time	
Environment conditions	Temperature *1)	0 °C ~ 50 °C (operating) -20 °C ~ 60 °C (storage)
	Humidity	30 % - 80 % (operating) 10 % - 90 % (storage)
TPH Life	Approximately 50 Km	
Drop resistant	1.0 m *Our test procedure, Not guarantee.	

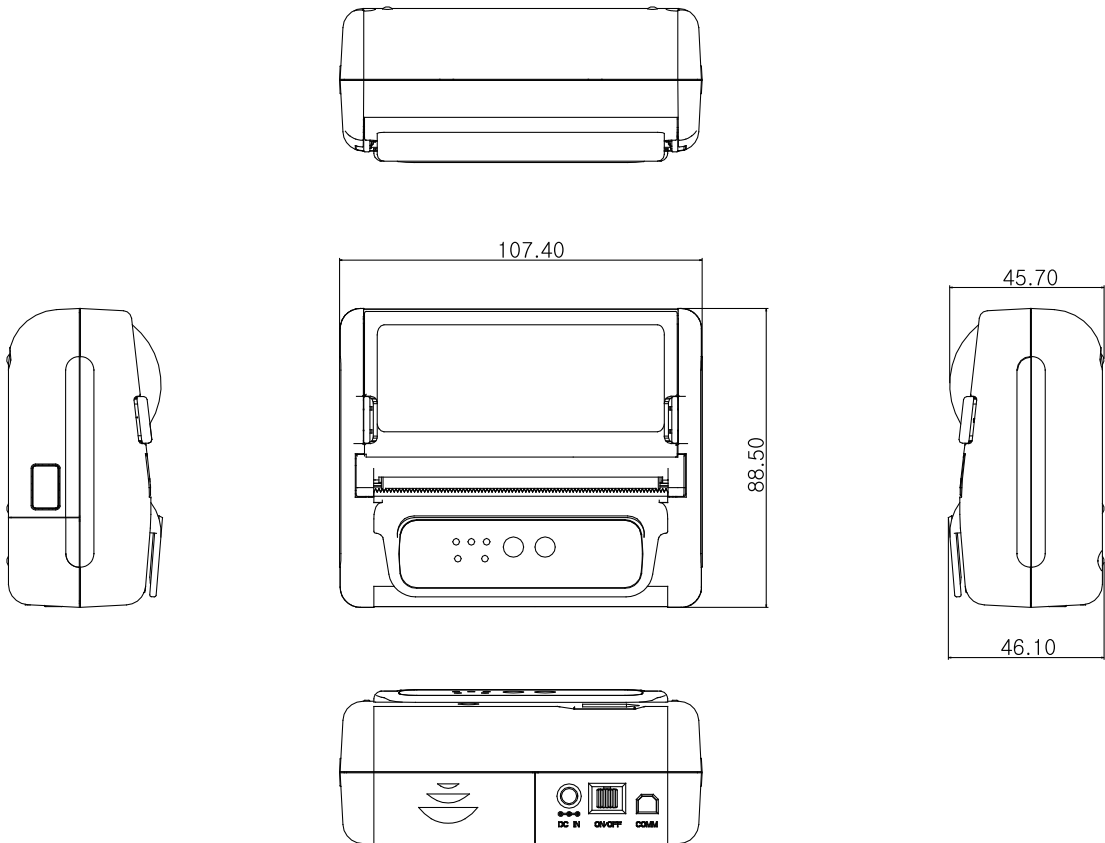
*1) Under 10°C, please change Density mode of the memory switch settings to “High”.

■ Dimensions

External Dimensions : 107 mm (width) × 89 mm (depth) × 46 mm (height)

Weight : 269 g (Including Battery Pack)

Body Color : Black



Declaration of Conformity

Application of Council Directive(s)

EMC 2004/108/EC of 15 Dec. 2004
LV 2006/95/EC of 12 Dec. 2006
R&TTE 1999/5/EC of 9 Mar. 1999

Standard(s) to which Conformity is Declared

Radio: **EN 300 328 V1.7.1**
EN 50371:2002
EMC: **EN 301 489-1 V1.8.1**
EN 301 489-17 V2.1.1
EN 55022:2006 (Class B)
EN 55024:1998/+A1:2001 +A2:2003
LV : **EN60950-1:2006/+A11:2009**

Manufacturer's Name **Star Micronics Co.,Ltd.**
Manufacturer's Address **20-10 Nakayoshida, Suruga-ku, Shizuoka-shi,
Shizuoka-ken, 422-8654, Japan**
Type of Equipment **Thermal Printer**
Model Name **PORTI-SWC40**
Ref. R&TTE Radio Report No. **ETLE091209.05, ETLE091209.05.01**
Ref. R&TTE EMC Report No. **ETLE091209.06**
Ref. EMC Report No. **ETLE091209.15**
Ref. Safety Report No. **ETLS091209.02**

I, the undersigned, hereby declare that the equipment specified above conforms to the above Directive(s) and Standard(s).

Place High Wycombe - U.K.

D. Pearce (Signature)

Date Jan. 25, 2011

David Pearce (Full Name)

Technical Manager (Position)



**SPECIAL PRODUCTS DIVISION
STAR MICRONICS CO., LTD.**

536 Nanatsushinya, Shimizu-ku, Shizuoka,
424-0066 Japan

Tel: (int+81)-54-347-0112

Fax: (int+81)-54-347-0409

Please access the following URL

<http://www.star-m.jp/eng/dl/dl02.htm>

for the latest revision of the manual.

**OVERSEAS SUBSIDIARY COMPANIES
STAR MICRONICS AMERICA, INC.**

1150 King Georges Post Road, Edison, NJ 08837-3729 U.S.A.

Tel: (int+1)-732-623-5555, Fax: (int+1)-732-623-5590

STAR MICRONICS EUROPE LTD.

Star House, Peregrine Business Park, Gomm Road,
High Wycombe, Bucks, HP13 7DL, U.K.

Tel: (int+44)-1494-471111, Fax: (int+44)-1494-473333

STAR MICRONICS ASIA LTD.

Rm. 1901-5, 19/F., Enterprise Square Two,

3 Sheung Yuet Road, Kowloon Bay, Hong Kong

Tel : (int+852)-2796-2727, Fax : (int+852)-2799-9344